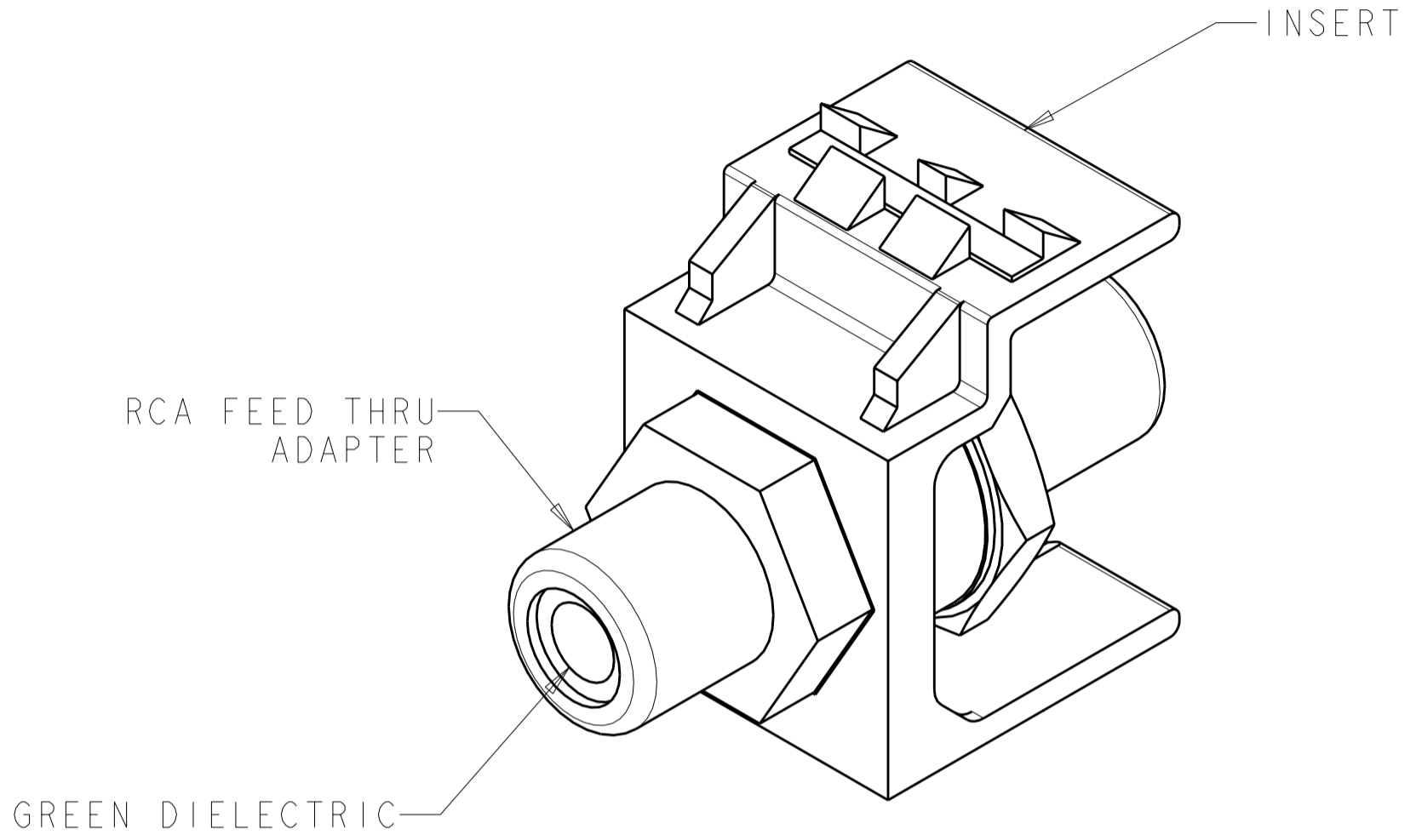
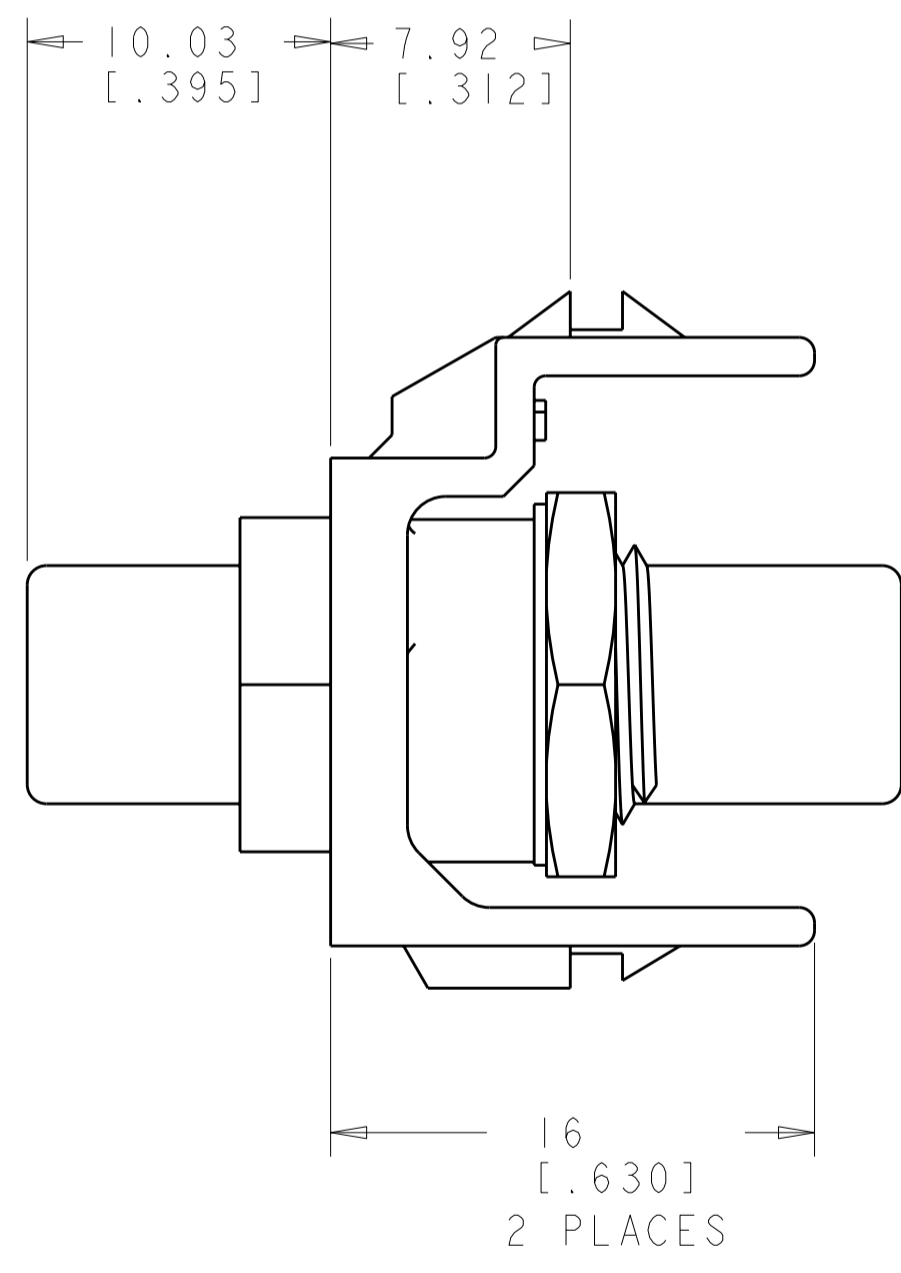


THIS DRAWING IS UNPUBLISHED. RELEASED FOR PUBLICATION 20
 © COPYRIGHT 20 BY TYCO ELECTRONICS CORPORATION. ALL RIGHTS RESERVED.

| LOC | DIST | REVISIONS | | | | | |
|-----|------|-----------|-----|-----------------|-----------|-----|------|
| HM | 00 | P | LTR | DESCRIPTION | DATE | DWN | APVD |
| | | | A | RLSD; NSD06-128 | 27NOV2006 | LHS | GB |
| | | | | | | | |
| | | | | | | | |



- ⚠ MATERIAL:
 INSERT - ABS MOLDING COMPOUND,
 SEE TABLE FOR COLOR.
 ADAPTER - BRASS, GOLD PLATED.
- ⚠ UNLESS OTHERWISE SPECIFIED ALL
 DIMENSIONS ARE SHOWN NOMINAL.



| | |
|----------------|-------------|
| ELECTRIC IVORY | 1-1933192-1 |
| NEMA GRAY | 1933192-4 |
| WHITE | 1933192-3 |
| BLACK | 1933192-2 |
| LIGHT ALMOND | 1933192-1 |
| COLOR | PART NUMBER |

| | | | |
|---|---|--|--|
| <small>THIS DRAWING IS A CONTROLLED DOCUMENT FOR TYCO ELECTRONICS CORPORATION IT IS SUBJECT TO CHANGE AND THE CONTROLLING ENGINEERING ORGANIZATION SHOULD BE CONTACTED FOR THE LATEST REVISION.</small> | | DWN L SMITH 27NOV2006 CHK G BOWMAN 27NOV2006 APVD G BOWMAN 27NOV2006 | tyco Electronics Tyco Electronics Harrisburg, PA 17105-3608 |
| DIMENSIONS: MM [INCHES] | TOLERANCES UNLESS OTHERWISE SPECIFIED: | PRODUCT SPEC APPLICATION SPEC WEIGHT | NAME INSERT ASSEMBLY, RCA FEED-THRU, GREEN, SL SERIES |
| 0 PLC ± 1 PLC ± 2 PLC ± 3 PLC ± 4 PLC ± ANGLES ± FINISH - | ± ± ± ± ± ± | - - - | SIZE A2 CAGE CODE 00779 DRAWING NO. 1933192 RESTRICTED TO - |
| MATERIAL - ⚠ | | CUSTOMER DRAWING | SCALE 4:1 SHEET 1 OF 1 REV A |